



JUNIOR GP MOTO 2 – MY 2023

PARTS LIST

For more information, please contact:

All values refer to standard conditions (20°C, 100 KPa)
MecTronik can anytime change the data without notice

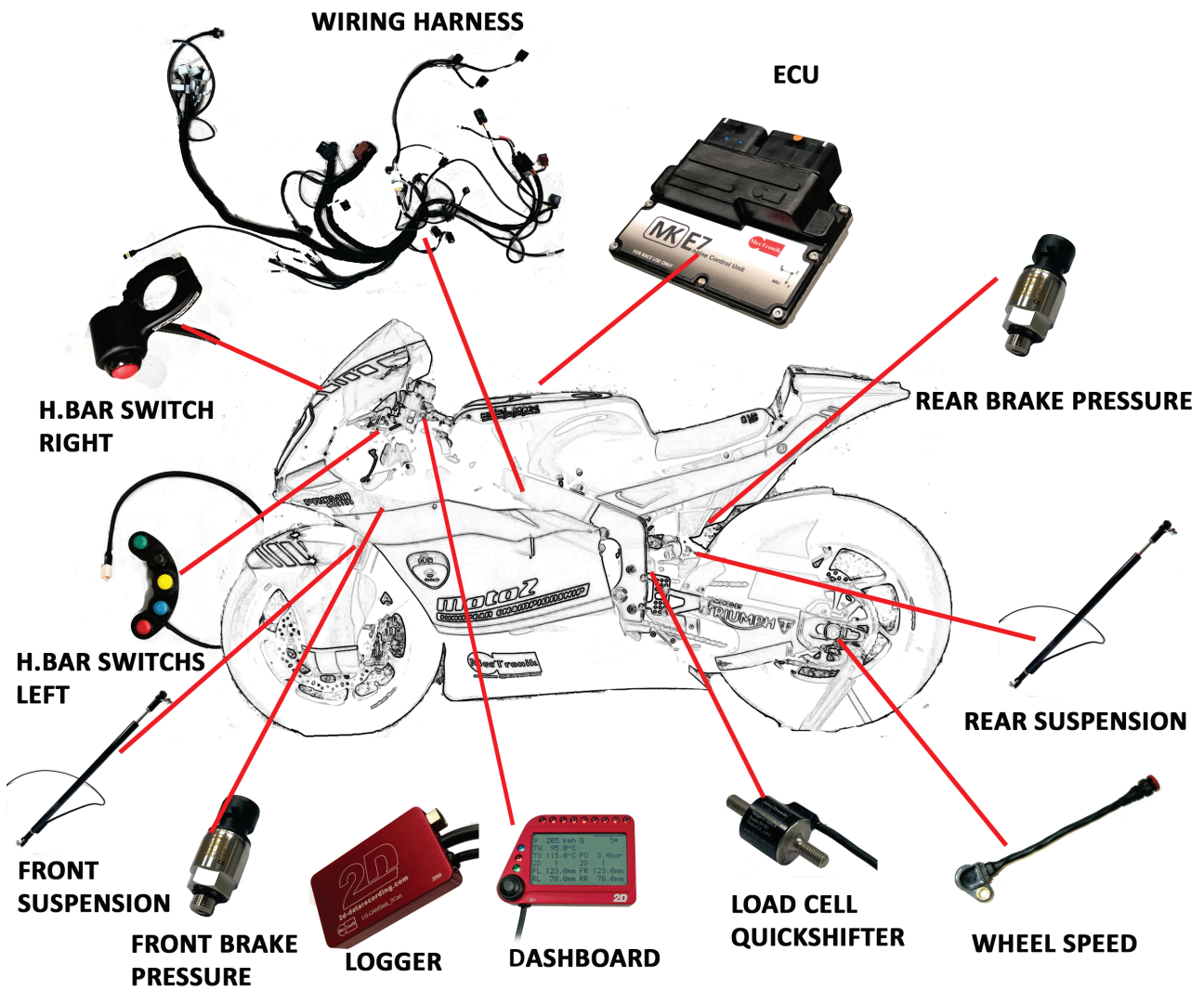
MecTronik S.r.l. - Via dell'Artigianato, 5 - 37053 - Cerea (VR)

Tel./Fax : +39 - (0)442 - 329200

<http://www.mectronik.com>

info@mectronik.com

COMPONENTS OVERVIEW



For more information, please contact:

MecTronik S.r.l. - Via dell'Artigianato, 5 - 37053 - Cerea (VR)

All values refer to standard conditions (20°C, 100 KPa)
 MecTronik can anytime change the data without notice

Tel./Fax : +39 - (0)442 - 329200

<http://www.mectronik.com>

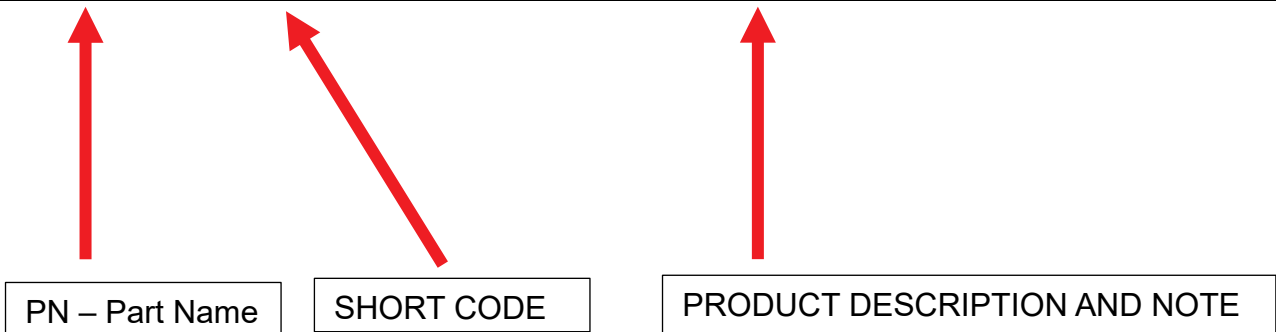
info@mectronik.com

GENERAL INFO

Any Part can be ordered has a unique PN (Part Name), a commercial Mnemonic SHORT CODE (short description) and a Product Description. This is used for identifying a Mectronik's Part. Sometimes for space reasons, for example in a small sensor, only a SHORT CODE will be specified on a product.
 Please refer to the product datasheets for the complete technical data or info.



PRD0009	SEN_LS150-9	Linear Position Sensor 150mm – Body diam. 9mm **
---------	-------------	--



There are some Parts defined as " MANDATORY " and other one as "OPTIONAL". Please check in the related latest championship rules issued, the details and the parts allowed. This is only a sales reference document.

For more information, please contact:

MecTronik S.r.l. - Via dell'Artigianato, 5 - 37053 - Cerea (VR)

All values refer to standard conditions (20°C, 100 KPa)
 Mectronik can anytime change the data without notice

Tel./Fax : +39 - (0)442 - 329200

<http://www.mectronik.com>

info@mectronik.com

MAIN PARTS

ECU



The Ecu allowed in the Junior GP M2 is a specific version of the MKE7 ecu family. Only the Junior GP M2 version is suitable with the homologated and deployed firmware for Junior GP M2. The version of the ecu is marked at the Bottom side of the product, and in the internal memory as well.

PRD0063	MKE7_MT2	Engine Control Unit MKE7 3.2.6 - Junior GP M2
---------	----------	---

WIRING HARNESS



A main wiring harness is supplied for a Kalex bike. The product was designed for an easy installation and plug & play device with the allowed optional parts. You may also install it into other frames, but it is not guaranteed, and other modifications may then be required. Please contact the Junior GP M2 technicians for the possible and allowed adaptations. The wiring harness is supply with a coils sub- harness and a connections to Can-Usb interface. Some optional wiring bridges are available as a Part, for quickly connections to transponders, Kalex sensors and so on.

CBL0006	CBL_MMT2	Main Wiring Harness for Junior GP M2
---------	----------	--------------------------------------

For more information, please contact:

All values refer to standard conditions (20°C, 100 KPa)
 Mectronik can anytime change the data without notice

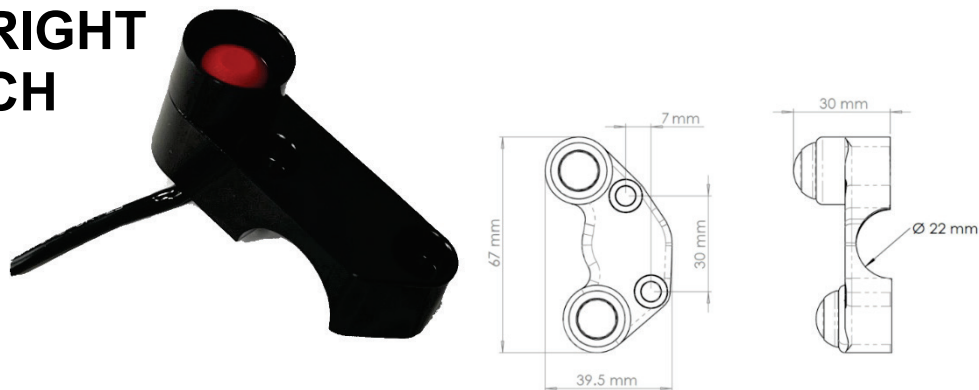
MecTronik S.r.l. - Via dell'Artigianato, 5 - 37053 - Cerea (VR)

Tel./Fax : +39 - (0)442 - 329200

<http://www.mectronik.com>

info@mectronik.com

HANDLEBAR RIGHT ON-OFF SWITCH



The Handlebar right switch is equipped with an ON-OFF single red button and used for engine kill. The part is fully supplied, in order to be fixed directly to the Brembo Front Brake Pump. The electric connector is plug & play into the Main wiring harness.

PRD0050	HBS_R01_02B	Handlebar Right 1Switch ON-OFF
---------	-------------	--------------------------------

HANDLEBAR LEFT ECU CONTROL SWITCHES



The Handlebar Left switches is equipped with different colour Buttons, used for the ecu control. Strategies enabling, Pit limit, dashboard page changing, and there are other examples on how you can use the Parts. A programmable function related to the single button is possible by an user configuration of the Ecu, over Mecal Software. The part is fully supplied with a collar, to be fixed directly to the handlebar. The electric connector is plug & play into the Main wiring harness.

PRD0052	HBS_L05	HandleBar Left 5 Switches for MKE7 Ecu control
---------	---------	--

For more information, please contact:

MecTronik S.r.l. - Via dell'Artigianato, 5 - 37053 - Cerea (VR)

All values refer to standard conditions (20°C, 100 KPa)
 MecTronik can anytime change the data without notice

Tel./Fax : +39 - (0)442 - 329200

<http://www.mectronik.com>

info@mectronik.com

LOAD CELL QUICK SHIFTER



The sensor for the Quick shifter strategy is a Load cell measuring the strength of the gearbox lever. It is not a switch, and a complete parametrization is available for the user in the ecu software. It must be mounted in a correct way to avoid fault measure or damage. Only the gear shifting force and it must be applied into the part in the correct strength direction. No warranty will be applied in case of fault for an improper use of the part.

Please pay attention to order only the correct code specifically for Junior GP M2, because it will be supplied to proper connector and wires length for a Plug & play application.

PRD0068	SEN_LCMT2-P	Load cell-quick shifter sensor +/-1000N for Junior GP M2
---------	-------------	--

For more information, please contact:

All values refer to standard conditions (20°C, 100 KPa)
Mectronik can anytime change the data without notice

MecTronik S.r.l. - Via dell'Artigianato, 5 - 37053 - Cerea (VR)

Tel./Fax : +39 - (0)442 - 329200

<http://www.mectronik.com>

info@mectronik.com

OPTIONAL PARTS

LOGGER



The system can be equipped with a high level of 2D data acquisition logger, which can store all motorbike data to a memory stick or into the internal memory by communicating with ecu. The part is dedicated to the Junior GP M2, supplied ready-to-use and with the locked configuration, so all teams will be able to have the same information allowed by the championship rules. A GPS antenna can be connected directly to the logger for a bike position data in the track. The configuration provided can manage also the X2 My laps transponder.

PRD0062	LOG_LS2CMT2	2D Logger Stick - 2 CAN BUS- for Junior GP M2
---------	-------------	---

DASHBOARD



The logger should be integrated with a specific 2D Dashboard able to show all data of the system, the Lap time, the engine data and so on. A 2D Mididash with an Autosport connector, aluminum case rugged and lightweight as a plug & play solution. A specific wiring bridge is available for a quick connection to the main Wiring Harness.

PRD0061	MIDID_MT2	2DMIDIDASH-1CAN-ALUMINIUM for Junior GP M2
---------	-----------	--

For more information, please contact:

MecTronik S.r.l. - Via dell'Artigianato, 5 - 37053 - Cerea (VR)

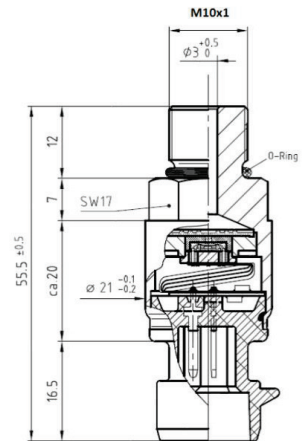
All values refer to standard conditions (20°C, 100 KPa)
 MecTronik can anytime change the data without notice

Tel./Fax : +39 - (0)442 - 329200

<http://www.mectronik.com>

info@mectronik.com

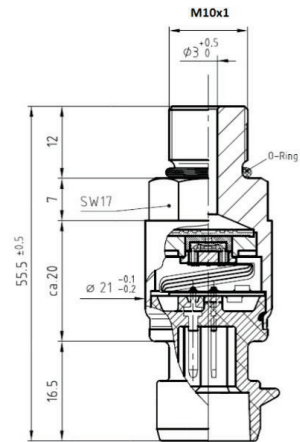
BRAKE PRESSURE SENSOR FRONT AND REAR SIDE



The Brake pressure sensor is an active Pressure Transducer, linear, ideal for motorsport applications. The body and the diaphragm resistant to chemical attacks by standard motorsport fluids, are built by core and body stainless steel AISI 316 L. The integrated connector is Plug&Play into the Main Harness. The sensor recommended for the Front and Rear Brake pressure is 0-100 Bar version. In this way, the same sensor should be used in both sides.

PRD0007	SEN_PS100	Fluid Pressure Sensor 0-100BAR
---------	-----------	--------------------------------

OIL AND FUEL PRESSURE SENSOR



The Brake pressure sensor is an active Pressure Transducer, linear, ideal for motorsport applications. The body and the diaphragm resistant to chemical attacks by standard motorsport fluids, are built by core and body stainless steel AISI 316 L. The integrated connector is Plug&Play into the Main Harness. The sensor recommended for the Oil and Fuel pressure is 0-10 Bar version. In this way, the same sensor should be used in both sides.

PRD0006	SEN_PS10	Fluid Pressure Sensor 0-10BAR
---------	----------	-------------------------------

For more information, please contact:

MecTronik S.r.l. - Via dell'Artigianato, 5 - 37053 - Cerea (VR)

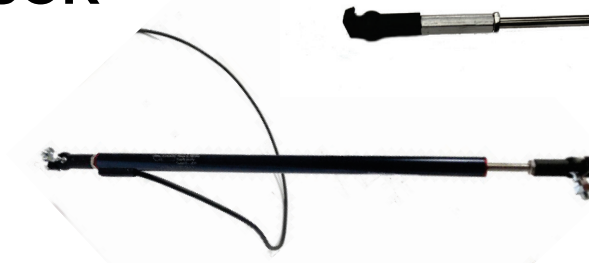
All values refer to standard conditions (20°C, 100 KPa)
 MecTronik can anytime change the data without notice

Tel./Fax : +39 - (0)442 - 329200

<http://www.mectronik.com>

info@mectronik.com

FRONT SUSPENSION SENSOR



The Front suspension sensor is a linear Transducer, perfect for motorsport applications. The 9mm aluminum body has a good resistant to shock and is supplied with a spacer kit for adjusting a maximum length requested by different settings of the Fork. The integrated connector is Plug&Play into the Main Harness. The sensor recommended for the Front side is the 150mm travel version.

PRD0054	SENLS150-MT2	Linear Sensor 150mm - Body diam. 9mm for Junior GP M2
---------	--------------	---

REAR SUSPENSION SENSOR



The Front suspension sensor is a linear Transducer, perfect for motorsport applications. The 9mm aluminum body has a good resistant to shock and is supplied with a spacer kit for adjusting a maximum length requested by different settings of the Fork. The integrated connector is Plug&Play into the Main Harness. The sensor suggested for the Front side is the 150mm travel version.

PRD0055	SENLS75-MT2	Linear Sensor 75mm - Body diam. 9mm for Junior GP M2
---------	-------------	--

For more information, please contact:

MecTronik S.r.l. - Via dell'Artigianato, 5 - 37053 - Cerea (VR)

All values refer to standard conditions (20°C, 100 KPa)
Mectronik can anytime change the data without notice

Tel./Fax : +39 - (0)442 - 329200

<http://www.mectronik.com>

info@mectronik.com

LAMBDA SENSOR



The Lambda probe is a linear wide band type, a specific version of the LSU4.9 Family. The integrated connector is Plug&Play into the Main Harness. No setting is required when the probe is connected to the MKE7 ecu.

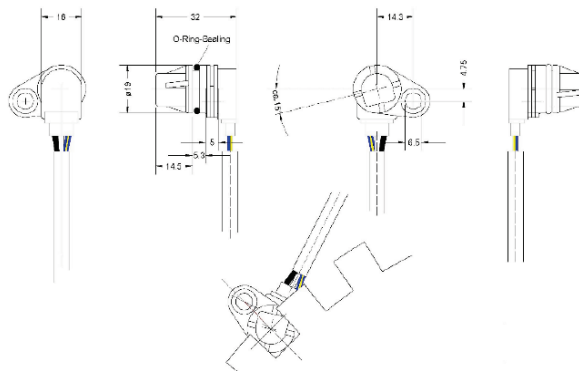
PRD0023	SEN_LU49	Wide Band Lambda Sensor LSU 4.9
---------	----------	---------------------------------

SPEED SENSOR FRONT AND REAR



The speed sensor reacts to crossing the metal parts, so a suitable phonic wheel should be placed in front of the sensor for a proper use. It is fully supplied with an Autosport connector, as the Kalex part. A specific adaptor wiring bridge is available for a correct Plug&Play connection into the main harness (see below). This part can be used in both, front and rear side.

PRD0058	SEN_SSMT2	Speed Sensor for Kalex - Junior GP M2 With AS connector
---------	-----------	---



For more information, please contact:

MecTronik S.r.l. - Via dell'Artigianato, 5 - 37053 - Cerea (VR)

All values refer to standard conditions (20°C, 100 KPa)
 MecTronik can anytime change the data without notice

Tel./Fax : +39 - (0)442 - 329200

<http://www.mectronik.com>

info@mectronik.com

OIL TEMPERATURE SENSOR



The Oil Temperature sensor is an NTC type Transducer, perfect for motorsport applications. The small and M6 thread allows to fit any small space available in the oil circuit, as oil drain cap, piping and so on. The integrated connector is Plug&Play into the Main Harness.

PRD0027	SEN_NTSM6_3K	Liquid Temperature Sensor 3Kohm@20°C
---------	--------------	--------------------------------------

GPS ANTENNA



The GPS receiver and antenna should be used with the 2D logger. Direct and plug&play connection to the logger. Auto Lapttime recognition. An integrated magnet allows simple assembly. The specific version for the Junior GP M2 is equipped with a short cable for an easy installation in the front side of the bike.

PRD0060	SEN_GPS02	GPS ANTENNA FOR LOGGER Junior GP M2 - 30cm
---------	-----------	--

For more information, please contact:

MecTronik S.r.l. - Via dell'Artigianato, 5 - 37053 - Cerea (VR)

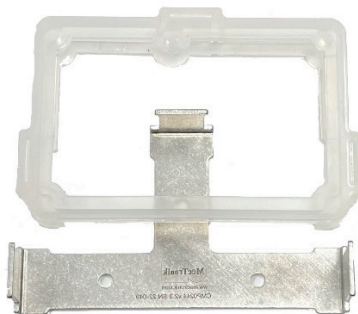
All values refer to standard conditions (20°C, 100 KPa)
MecTronik can anytime change the data without notice

Tel./Fax : +39 - (0)442 - 329200

<http://www.mectronik.com>

info@mectronik.com

ECU HOLDER



NOTE: The ecu in pictures it's only a sample and is not part of this product supply.

The Kit have been designed for a quickly and safe mounting MKE-7 Ecu. A robust Bracket with silicone holder is used as a vibrations isolation. Its mandatory if the internal IMU sensor and related strategies. The design permit a mounting of the assembly without required more space if compared to the only ecu dimensions. The silicone enclosure can be glued with sealant to the ecu if required

PRD0065	KIT_HLD1	Silicone Holder kit for Ecu MKE5-7
---------	----------	------------------------------------

For more information, please contact:

All values refer to standard conditions (20°C, 100 KPa)
 MecTronik can anytime change the data without notice

MecTronik S.r.l. - Via dell'Artigianato, 5 - 37053 - Cerea (VR)

Tel./Fax : +39 - (0)442 - 329200

<http://www.mectronik.com>

info@mectronik.com

WIRING HARNESS ACCESORIES

**LOGGER AND DASHBOARD
 WIRING ADAPTOR**



The Wiring bridge for the Plug & Play interfacing of the allowed 2D devices to the main Harness. It is specific for a proper connection between ecu, Stick logger, Mididash and TPMS system.

CBL0011	CBL_LMT2	Wiring Bridge Logger-Dashboard 2D for Junior GP M2
---------	----------	--

**DOMINO GRIP
 WIRING ADAPTOR**



The Main wiring harness for Junior GP M2 is specific for working and for a direct connection to the Original Triumph Grip/Gas Sensor. If it's used the Domino device, this wiring bridge should be used too.

CBL0010	CBL_GMT2	Wiring Bridge for Junior GP M2 Domino Grip Sensor
---------	----------	---

For more information, please contact:

MecTronik S.r.l. - Via dell'Artigianato, 5 - 37053 - Cerea (VR)

All values refer to standard conditions (20°C, 100 KPa)
 MecTronik can anytime change the data without notice

Tel./Fax : +39 - (0)442 - 329200

<http://www.mectronik.com>

info@mectronik.com

SPEED SENSOR WIRING ADAPTOR



For a proper connection between the Main Harness and the PRD0058 equipped with an AutoSport connector, you should use this adaptor. For a proper connection between the Main Harness and the PRD0058 sensors, you should use this adaptor. A Plug & Play solution for front (2x) and rear side (1x).

CBL0009	CBL_SMT2	Wiring Bridge for Speed Sensors with AS connector
---------	----------	---

X2 MYLAPS TRANSPONDER WIRING ADAPTOR



If an X2 My laps transponder should be connected to the Junior GP M2 wiring harness and 2D system, this is an adaptor for an easy and proper connection. Only the Canbus data and power supply are used for the linking devices. The adaptor cable length is designed for any transponder positioning.

CBL0012	CBL_TMT2	Wiring Bridge for X2 My laps transponder for Junior GP M2
---------	----------	---

For more information, please contact:

MecTronik S.r.l. - Via dell'Artigianato, 5 - 37053 - Cerea (VR)

All values refer to standard conditions (20°C, 100 KPa)
 MecTronik can anytime change the data without notice

Tel./Fax : +39 - (0)442 - 329200

<http://www.mectronik.com>

info@mectronik.com

COMMUNICATIONS TOOL

**CAN-USB INTERFACE
 PRO VERSION**

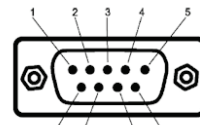


Figure 7: The D-SUB connector pin numbers

D-SUB Pin number	High Speed
1	Not connected
2	CAN_L
3	GND
4	Not connected
5	Shield
6	Not connected
7	CAN_H
8	Not connected
9	Not connected

Table 3: D-SUB pin configura

Professional Interface USB for the communication between Can Bus Ecu and MeCal Tools. This should be used for MKE7 ecu calibrations, diagnostic, and for Firmware upgrade too. This can interface is plug&play with the extension cable supplied with main wiring harness ..

PRD0003	CANUSB-K	Interface for MeCal - PRO VERSION
---------	----------	-----------------------------------

For more information, please contact:

All values refer to standard conditions (20°C, 100 KPa)
 Mectronik can anytime change the data without notice

MecTronik S.r.l. - Via dell'Artigianato, 5 - 37053 - Cerea (VR)

Tel./Fax : +39 - (0)442 - 329200

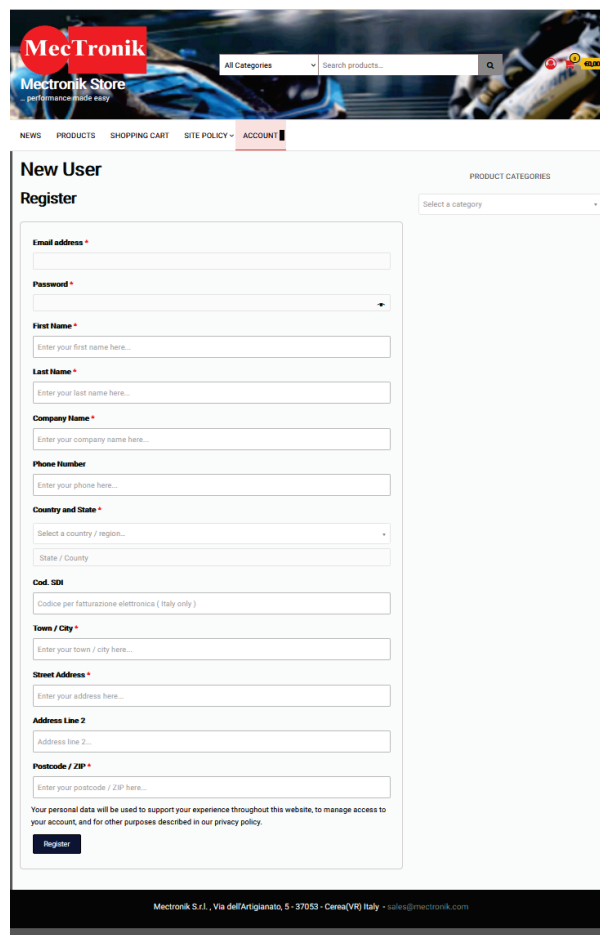
<http://www.mectronik.com>

info@mectronik.com

PRODUCT PURCHASING

The correct and faster way for PRODUCTS PURCHASING, is using the MecTronik's E-Commerce Portal. You may also follow the traditional way to make a request or e-mail, for receiving a quote, but the company Quality management system and the European laws have to conform to some rules related to the GDPR.

The e-commerce site www.mectronik.store is a B2B portal, specific to the companies and for professional use. The general and supply terms, company information and privacy rules must be read before finalising any registration or purchase, and the VAT company code will be then validate. Please take care of this topic ! So, a validated account must be created by the customer before beginning any activity, a price check also.



The screenshot shows the 'New User Register' form on the MecTronik Store website. The form includes the following fields: Email address, Password, First Name, Last Name, Company Name, Phone Number, Country and State (with a dropdown menu), State / Country, Cod. SDI (with a note: 'Codice per fatturazione elettronica (Italy only)'), Town / City, Street Address, Address Line 2, and Postcode / ZIP. A 'Register' button is located at the bottom of the form. A red arrow points to the right of the form.

Link to MecTronik e-commerce registration:

<https://www.mectronik.store/new-user/>

Link to MecTronik e-commerce Junior GP M2 product category:

<https://www.mectronik.store/product-category/juniorgpmoto2/>

For more information, please contact:

MecTronik S.r.l. - Via dell'Artigianato, 5 - 37053 - Cerea (VR)

All values refer to standard conditions (20°C, 100 KPa)
MecTronik can anytime change the data without notice

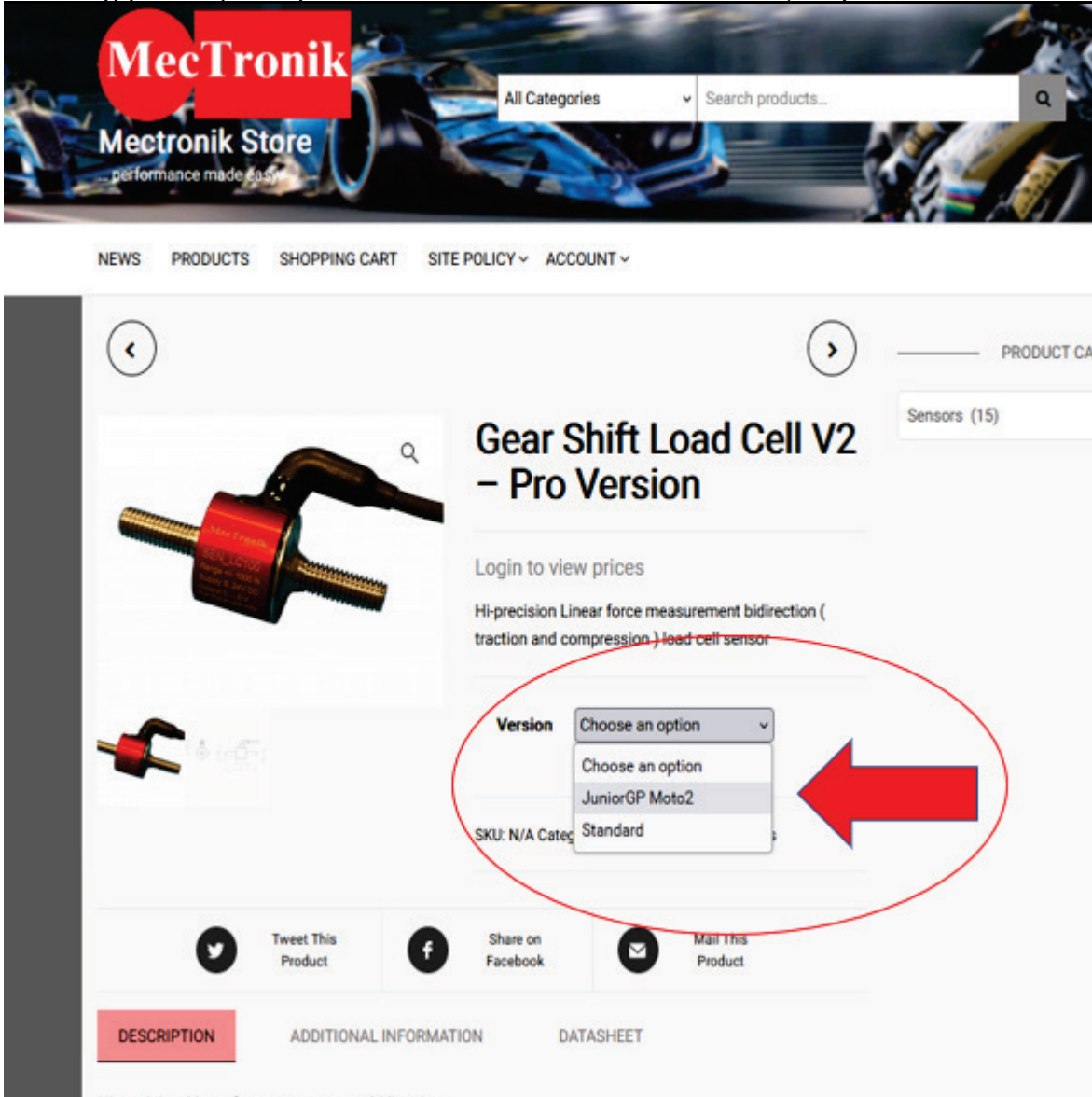
Tel./Fax : +39 - (0)442 - 329200

<http://www.mectronik.com>

info@mectronik.com

NOTE :

Some product as for example many sensors, are available in more versions. For avoiding improper orders, please always check the correct choice in the Version Menu (see the following picture). For products related to the Junior GP M2, a specific version is available.



DUE TO THE WORLDWIDE PRODUCT SHORTAGE SITUATION, ALL PRODUCT MUST BE PRE-ORDERED AS SOON AS POSSIBLE. MECTRONIK WILL DELIVER THE PARTS TO THE CUSTOMERS WITH A F.I.F.O. MODEL. First deliveries to customers who order and pay in advance.

For any commercial question please write to: sales@mectronik.com

For any technical question please open a support ticket to: <https://www.mectronik.info>

For more information, please contact:

MecTronik S.r.l. - Via dell'Artigianato, 5 - 37053 - Cerea (VR)

All values refer to standard conditions (20°C, 100 KPa)
Mectronik can anytime change the data without notice

Tel./Fax : +39 - (0)442 - 329200

<http://www.mectronik.com>

info@mectronik.com

PN	SHORT CODE	DESCRIPTION	RETAIL PRICE (Euro)	
			QT. 1....3	QT. 4.....7
PRD0063	MKE7_MT2	Engine control unit MKE7 3.2.6 JuniorGP M2	1.840,00	NA
CBL0006	CBL_MMT2	Main Wiring Harness for JuniorGP M2	1.150,00	NA
PRD0050	HBS_R01_02B	Handle Bar Right 1Switch ON-OFF	160,00	NA
PRD0052	HBS_L05	Handle Bar Left 5 Switches for MKE7 Ecu	275,00	NA
PRD0068	SEN_LCMT2-P	Load cell-quick shifter sensor +/-1000N	650,00	617,50
PRD0062	LOG_LS2CMT2	2D Logger Stick - 2 CAN BUS	690,00	655,50
PRD0061	MIDID_MT2	2D MIDIDASH-1CAN-ALLUMINIUM	990,00	940,50
PRD0007	SEN_PS100	Pressure sensor_ SEN PS100 100Bar	160,00	152,00
PRD0006	SEN_PS10	Fluid Pressure sensor_SENPS10 10Bar	160,00	152,00
PRD0054	SENL150-MT2	Linear Position Sensor 150mm	350,00	332,50
PRD0055	SEN_LS75-MT2	Linear Position Sensor 75mm	350,00	332,50
PRD0023	SEN_LU49	Wide Band Lambda sensor LSU-4.9	140,00	133,00
PRD0058	SEN_SSMT2	Speed Sensor for Kalex	180,00	171,00
PRD0027	SEN_NT6M6_3K	Liquid Temperature M6short-NTC sensor 3K	160,00	152,00
PRD0060	SEN_GPS02	GPS ANTENNA FOR LOGGER - 30cm	170,00	161,50
PRD0065	KIT_HLD1	Holder kit for ecu MKE5-7	190,00	180,50
CBL0011	CBL_LMT2	Wiring Bridge Logger-Dashboard 2D	200,00	190,00
CBL0010	CBL_GMT2	Wiring Bridge for Junior GP M2 Domino	160,00	152,00
CBL0009	CBL_SMT2	Wiring Bridge for Speed Sensors	135,00	128,25
CBL0012	CBL_TMT2	Wiring Bridge for X2 My laps transponder	180,00	171,00
PRD0003	CANUSB-K	Interfaccia CAN-USB K versione PRO	450,00	427,50

For more information, please contact:

MecTronik S.r.l. - Via dell'Artigianato, 5 - 37053 - Cerea (VR)

All values refer to standard conditions (20°C, 100 KPa)
MecTronik can anytime change the data without notice

Tel./Fax : +39 - (0)442 - 329200

<http://www.mectronik.com>

info@mectronik.com